



PERMITS & INSPECTION SERVICES
PARK ENTERPRISES LTD.
"Inspections by People Who Care!"

Solid Fuel Burning Appliance Information

(please complete as much information as possible and submit with the building permit application and manufacturer specifications)

Date: _____

1. Applicant's Name: _____

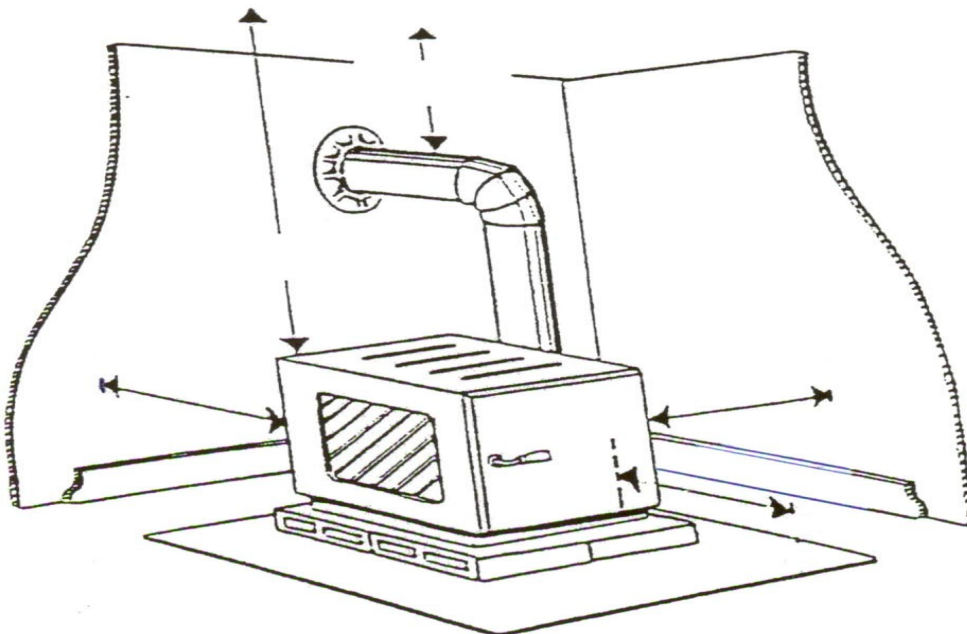
2. Municipality: _____

3. Legal and Description Lot _____ Block _____ Plan _____

_____ ¼ Sec _____ Twp _____ Rge _____ W of _____ Meridian

4. Is the solid fuel Burning appliance ULC, Warnock Hersey or CSA approved? _____

5. Please fill in the information as indicated on the diagram below.



10-491 WT Hill Blvd S
Lethbridge, AB T1J 1Y6
Ph: 1.800.621.5440 | 403.329.3747 Fax: 1.866.406.8484 | 403.329.8514

www.parkinspections.com | contact@parkinspections.com